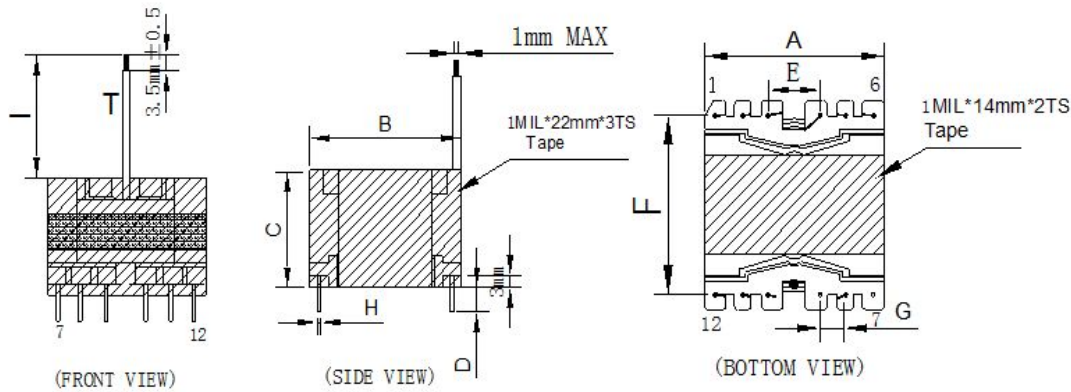


CUSTOMER TERMINAL	ROHS	Lead(Pb)-free
	YES	YES

## 1. Mechanical Dimensions



A	34.0	MAX
B	35.0	MAX
C	23.5	MAX
D	3.5	±0.3
E	7.4	±0.1
F	30.0	±0.1
G	5.0	±0.1
H	0.75	±0.1
I	40.0	±2.0

## 3. Material List

Core:FW44 PQ3220

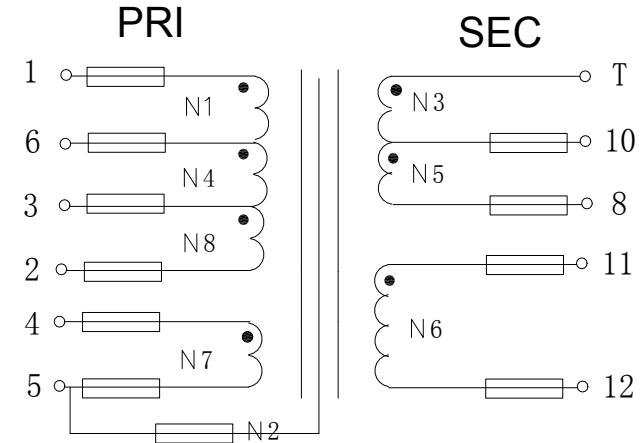
Bobbin:FWB3201-1(6+6PIN)

Wire:2UEW TIW LITZ

Copper foil:0.025t\*8.0mm

Operating Temperature: -30 to 115 °C

## 2. Schematic Diagram



## 4. Electrical Specification

Inductance :  $L(1-2): 1.6\text{mH} \pm 5\%$  30KHZ , 1.0V

Leakage Inductance :  $8\mu\text{H}$  MAX 30KHZ , 1.0V

DCR :  $(1-2)=0.6\Omega$  MAX  $(8-T)=0.28\Omega$  MAX

Hi-Pot:P-S: AC 60Hz 4000V 2mA 3S

S-CORE: AC 60Hz 4000V 1mA 3S

REV.	DATE	<p>Convention Placement</p>	DRW.	Drawing Title:	Part No:		
0	00/00		CHK.			<b>TRANSFORMER</b>	FWPTPQ3220V162J-2
			APP.			Customer P/N	Specification Sheet 1 of 1
<b>ROHS</b>		<a href="http://www.ferriwo.com">www.ferriwo.com</a>					